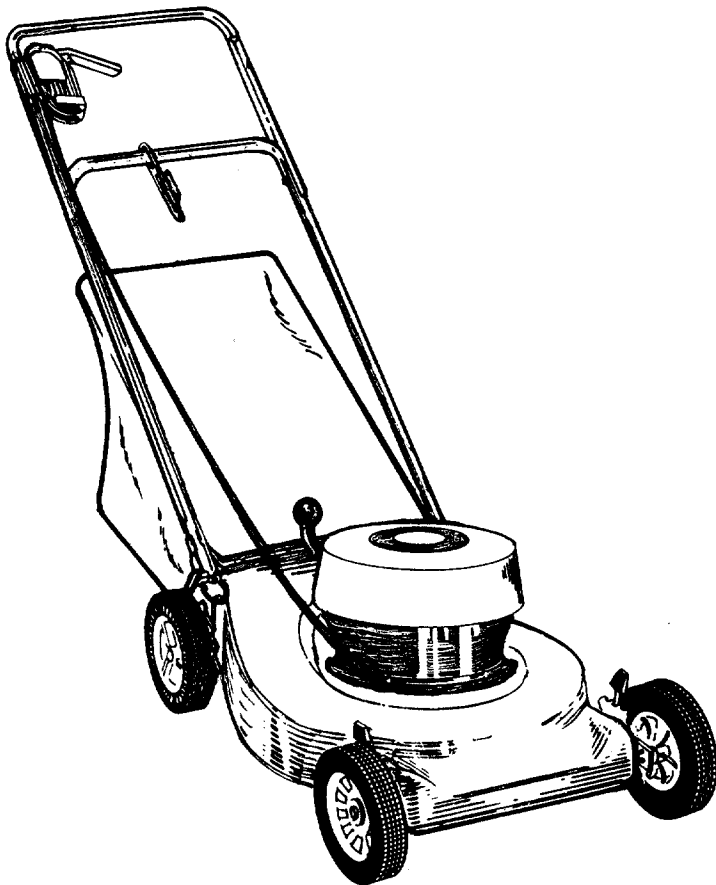


# OWNER'S GUIDE

ASSEMBLY • OPERATION • MAINTENANCE • PARTS



**20"  
REAR  
DISCHARGE  
ELECTRIC  
ROTARY  
MOWER**

**Model Number  
181-304E000**

*190-006*

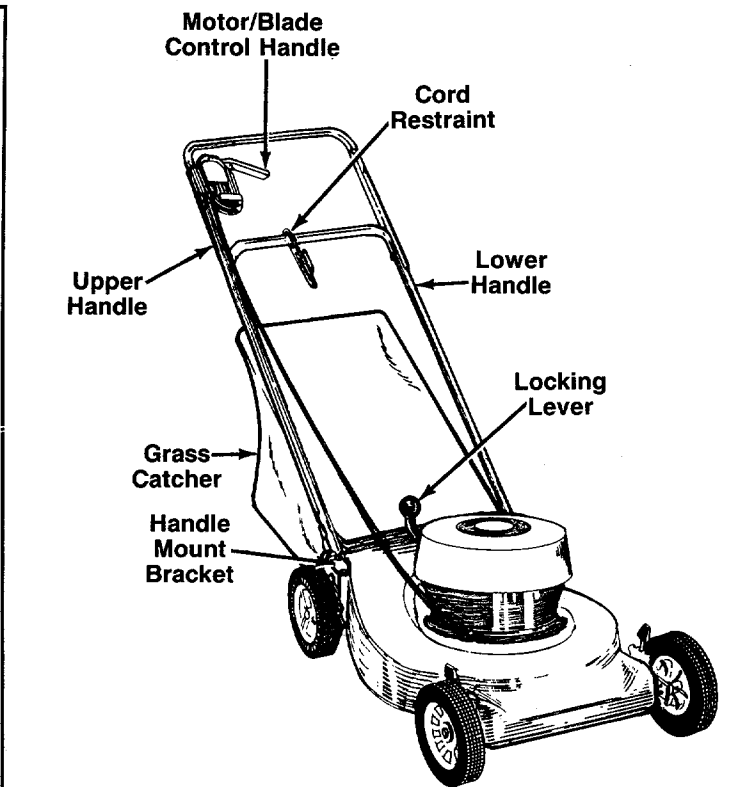
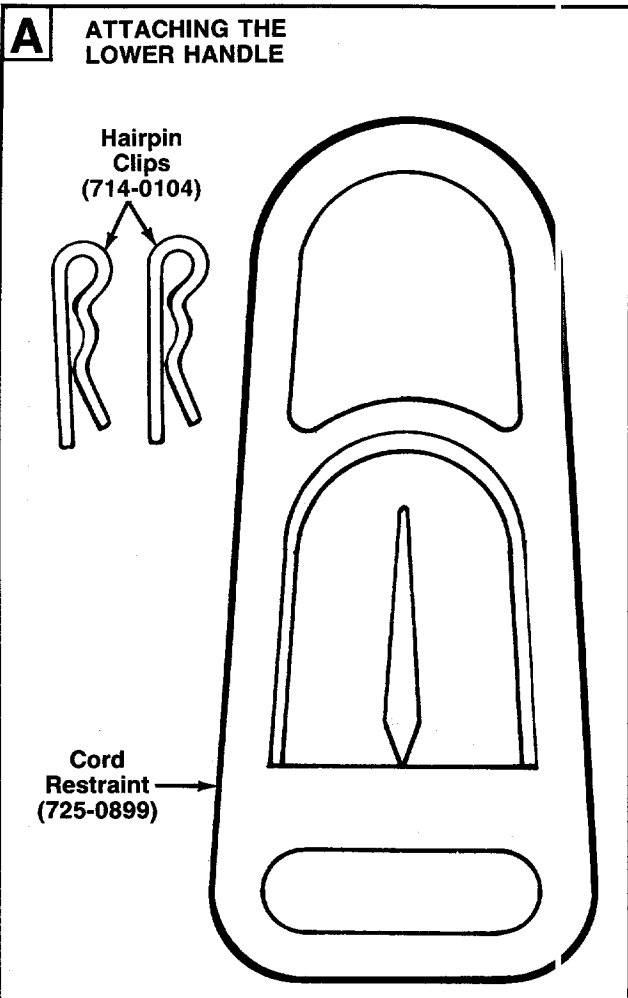


**Important:  
Read Safety Rules and Instructions Carefully**

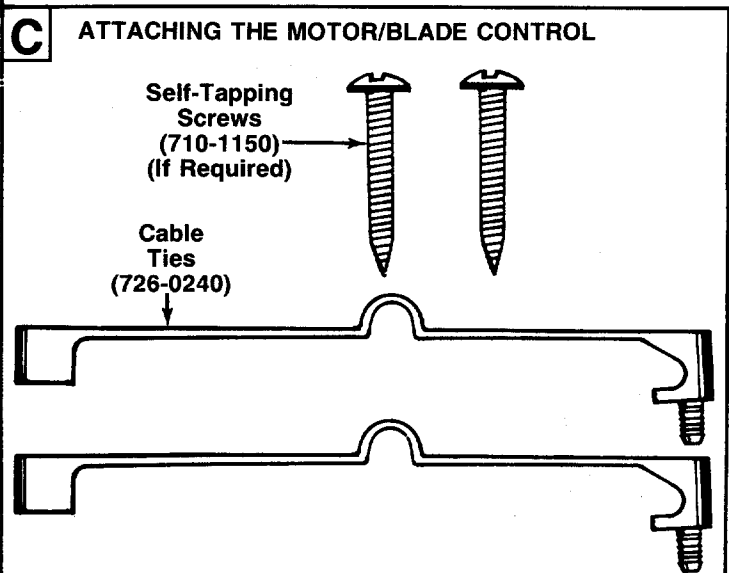
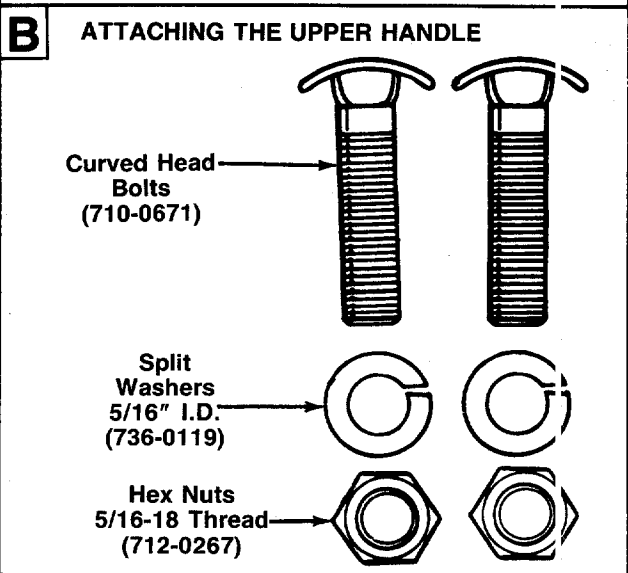
# CONTENTS OF HARDWARE PACK/PARTS IDENTIFICATION

Lay out the hardware according to the illustration for identification purposes. After assembly, keep the Slope Gauge which is on the reverse side of this sheet for future use.

(Hardware pack may contain extra items which are not used on your unit.—Part numbers are shown in parentheses.)



PARTS IDENTIFICATION



# IMPORTANT

## RULES FOR SAFE OPERATION



THIS SYMBOL POINTS OUT IMPORTANT SAFETY INSTRUCTIONS WHICH, IF NOT FOLLOWED, COULD ENDANGER THE PERSONAL SAFETY AND/OR PROPERTY OF YOURSELF AND OTHERS. READ AND FOLLOW ALL INSTRUCTIONS IN THIS MANUAL BEFORE ATTEMPTING TO OPERATE YOUR ELECTRIC LAWN MOWER. FAILURE TO COMPLY WITH THESE INSTRUCTIONS MAY RESULT IN PERSONAL INJURY. WHEN YOU SEE THIS SYMBOL—



**HEED ITS WARNING.**



### DANGER:

**Your electric lawn mower was built to be operated according to the rules for safe operation in this manual. As with any type of power equipment, carelessness or error on the part of the operator can result in serious injury. If you violate any of these rules, you may cause serious injury to yourself or others.**



### TRAINING

1. Read this owner's manual carefully in its entirety before attempting to assemble or operate this machine. Be completely familiar with the controls and the proper use of this machine before operating it. Keep this manual in a safe place for future and regular reference and for ordering replacement parts.
2. Your rotary mower is a precision piece of power equipment, not a plaything. Therefore, exercise extreme caution at all times.
3. Never allow children to operate a power mower. Only persons well acquainted with these rules of safe operation should be allowed to use your mower.
4. No one should operate this unit while intoxicated or while taking medication that impairs the senses or reactions.
5. Keep the area of operation clear of all persons, particularly small children and pets. Stop motor when they are in the vicinity of your mower. Although the area of operation should be completely cleared of foreign objects, an object may have been overlooked and could be accidentally thrown by the mower in any direction and cause serious personal injury to the operator or any others allowed in the area.

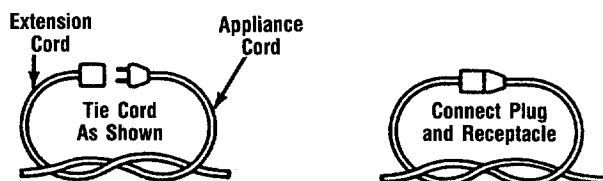


### PREPARATION

1. Thoroughly inspect the area where the equipment is to be used. Remove all stones, sticks, wire, bones and other foreign objects which could be picked up and thrown by the mower in any direction and cause serious personal injury to the operator or any others allowed in the area.
2. Always wear safety glasses or eye shields during operation or while performing an adjustment or repair, to protect eyes from foreign objects that may be thrown from the machine in any direction.
3. Dress properly. Wear sturdy, rough-soled work shoes. Never operate a unit in barefeet, sandals or sneakers. Do not wear loose clothing or jewelry. They can be caught in moving parts. Use of rubber gloves and footwear is recommended when working outdoors.
4. Never attempt to make a wheel or cutting height adjustment while the motor is running.
5. Mow only in daylight or in good artificial light.
6. Never operate the equipment in the rain or in damp wet locations. Always be sure of your footing. A slip and fall can cause serious personal injury. Keep a firm hold on the handle and walk, never run. Do not over-reach—keep footing and balance at all times.
7. Warning—To prevent electric shock hazard, use only with an extension cord suitable for outdoor use. Use only UL approved outdoor extension cords of adequate gauge (minimum 16 gauge recommended) which accept the lawn mower's plug.
8. Cord sets—Make sure your cord set is in good condition. When using a cord set, be sure to use one heavy enough to carry the current your lawn mower will draw. For lengths less than 50 feet, No. 16 AWG cord set should be used. An undersized cord will cause a drop in line voltage resulting in loss of power and overheating. (NOTE: Table below shows the correct size to use depending on cord length and nameplate ampere rating. If in doubt, use the next heavier gauge. The smaller the gauge number the heavier the cord.)

Motor Amp Rating	Required Cord Gauge			
	Cord Length in Feet			
	25	50	100	150
	Wire Gauge			
10-12	16	16	14	12

9. If extension cord is damaged in any manner while plugged in, pull extension cord from wall receptacle.
10. To prevent disconnection of extension cord from mower during operation, be sure to use the cord restraint provided or make a knot as shown in the illustration below.



11. Fuses—The mower should be operated on a 15 or 20 AMP circuit. If difficulty in starting is experienced with a standard 15 AMP fuse or circuit breaker, contact your nearest authorized service location. Do not use a higher rated fuse without consulting your power company.
12. For your safety, use the slope gauge included as part of this manual to measure slopes before operating this unit on a sloped or hilly area. If the slope is greater than 15° as shown on the slope gauge, do not operate this unit on that area or serious injury could result.



### OPERATION

1. Avoid accidental starting. Do not pull plugged-in lawn mower with finger on switch. Be sure switch is **off** when plugging in.
2. Do not abuse cord—never pull lawn mower by cord or yank it to disconnect from receptacle. Keep cord from heat, oil, and sharp edges.
3. Do not put hands or feet near or under rotating parts. Keep clear of the discharge opening at all times as the rotating blade can cause injury.
4. Stop the motor when you leave the mower and before crossing gravel drives, walks or roads.
5. After striking a foreign object, shut off the motor, make absolutely sure the blade and all moving parts have completely stopped, disconnect the power cord to prevent accidental starting, then thoroughly inspect the mower for any damage. Such damage must be repaired before restarting and operating the mower.
6. If the equipment should start to vibrate abnormally, stop the motor and check immediately for the cause. Vibration is generally a warning of trouble.
7. Stop the motor, unplug the power cord, and wait for the blade and all moving parts to stop before cleaning, unclogging chute, removing grass catcher, repairing or inspecting the mower. The cutting blade continues to rotate for a few seconds after the motor is shut off.

## SAFE OPERATION PRACTICES (Continued)

8. Do not force lawn mower. It will do the job better and safer at the rate for which it was designed. Do not use lawn mower for any job except that for which it is intended.
9. Mow across the face of slopes, never up-and-down. Never cut grass by pulling mower toward you. Exercise extreme caution when operating mower on uneven terrain or changing direction on slopes. Do not mow excessively steep slopes. Always be sure of your footing. A slip and fall can cause serious personal injury.
10. Never operate mower without proper guards, plates or other safety protective devices in place.
11. **The blade/motor control on this mower is installed to minimize the risk of blade contact injury and is required by federal regulations. Do not under any circumstances attempt to defeat the function of the blade/motor control.**
12. To avoid electric shock hazard, never push mower over cord. Do not mow around the lawn in circles. Always travel back and forth across the lawn, beginning at the point nearest the electric outlet to which the extension cord is connected. This will keep the cord on the mowed area of the lawn and out of the way.
13. Do not operate mower after it has been dropped or damaged in any manner. Return mower to nearest authorized service location.
14. The use of accessory attachments not recommended by the mower manufacturer may cause hazards.
15. Do not operate this mower with the chute door open, unless the complete grass catcher or chute deflector is properly mounted on the mower.



### MAINTENANCE AND STORAGE

1. Warning—Disconnect power cord from electrical outlet before performing any maintenance or service on mower.
2. Check the blade and motor mounting bolts at frequent intervals for proper

tightness. Keep all nuts, bolts, and screws tight to be sure the equipment is in safe working condition.

3. Keep blade sharp.
4. Use identical replacement blades only. Repair or replace damaged cord.
5. To reduce fire hazard, keep the motor free of grass, leaves, or excessive grease.
6. Check the grass catcher bag frequently for wear or deterioration and replace worn bags. For safety protection, replace only with new bag meeting original equipment specifications.
7. Store idle lawn mower indoors when not in use. Allow motor to cool before storing in any enclosure. Lawn mower should be stored indoors in dry, high or locked-up place, out of reach of children.
8. Maintain lawn mower with care. Keep blade sharp and clean for best and safest performance. **Follow instructions for lubricating and changing accessories.**



### DOUBLE INSULATED LAWN MOWER

**DOUBLE INSULATION** IS A CONCEPT IN SAFETY IN ELECTRIC LAWN MOWERS, WHICH ELIMINATES THE NEED FOR THE USUAL THREE WIRE GROUNDED POWER CORD AND GROUNDED SUPPLY SYSTEM. WHEREVER THERE IS ELECTRIC CURRENT IN THE MOWER, THERE ARE TWO COMPLETE SETS OF INSULATION TO PROTECT THE USER. ALL EXPOSED METAL PARTS ARE ISOLATED FROM THE INTERNAL METAL MOTOR COMPONENTS WITH PROTECTING INSULATION.

**IMPORTANT**—SERVICING OF A LAWN MOWER WITH DOUBLE INSULATION REQUIRES EXTREME CARE AND KNOWLEDGE OF THE SYSTEM AND SHOULD BE PERFORMED ONLY BY A QUALIFIED SERVICE TECHNICIAN. FOR SERVICE WE SUGGEST YOU RETURN THE LAWN MOWER TO YOUR NEAREST AUTHORIZED SERVICE DEALER FOR REPAIR. ALWAYS USE ORIGINAL FACTORY REPLACEMENT PARTS WHEN SERVICING.

## ASSEMBLY INSTRUCTIONS

**NOTE:** Reference to right or left hand side of the mower is observed from the operating position. Refer to parts identification on page 2 for location of parts when assembling the mower.

### Tools Required for Assembly

- (1) Pair of Pliers
- (1) Phillips Screwdriver (if needed)
- (1) 1/2" Wrench or Adjustable Wrench

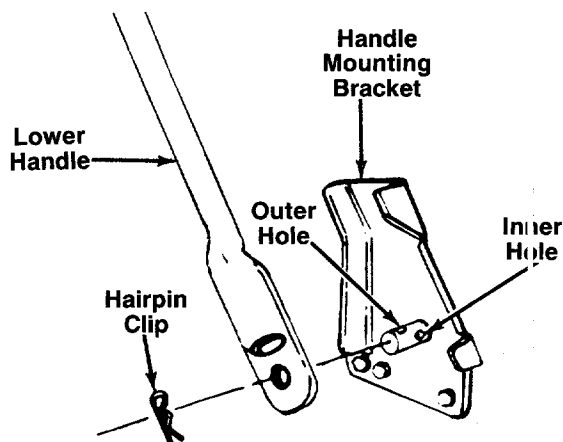


FIGURE 1.

### UNPACKING

1. Remove the lawn mower from the carton by opening the top flaps and lifting the unit out. Be careful of the staples. Make certain all parts and literature have been removed from the carton before the carton is discarded.
2. Check beneath the deck for any cardboard packaging. Remove if present.
3. Stretch out the control cord and place on the floor. Be careful not to bend or kink the cord at any time during assembly.
4. Remove page four from this manual and lay the contents of the hardware pack on the illustration for identification.

### ATTACHING THE LOWER HANDLE (Hardware A)

1. Slide the cord restraint over the lower handle as shown in figure 2, page 6.
  2. Attach the lower handle by placing the bottom holes in the lower handle over the weld pins on the handle mounting brackets on the rear of the deck.
  3. Using a pair of pliers, squeeze one leg of the lower handle against the handle mounting bracket. Insert the hairpin clip into the **inner** hole on the weld pin. See figure 1.
- ← 1. Repeat on other side.

**NOTE:** There are two (2) holes in the handle mounting brackets. Place the hairpin clip in the inner hole for operation. Outer hole is for storage.

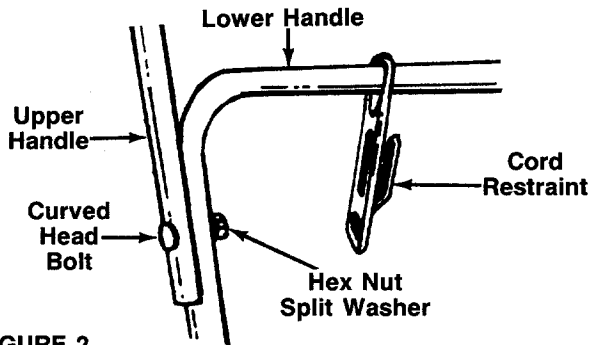


FIGURE 2.

**ATTACHING THE UPPER HANDLE (Hardware B)**

1. Place the upper handle in position over the lower handle. The two holes for the motor/blade control must be on the right hand side of the handle. Secure the upper handle using the curved head bolts, split washers and hex nuts as shown in figure 2. Make sure the cord restraint is on top of the upper handle.

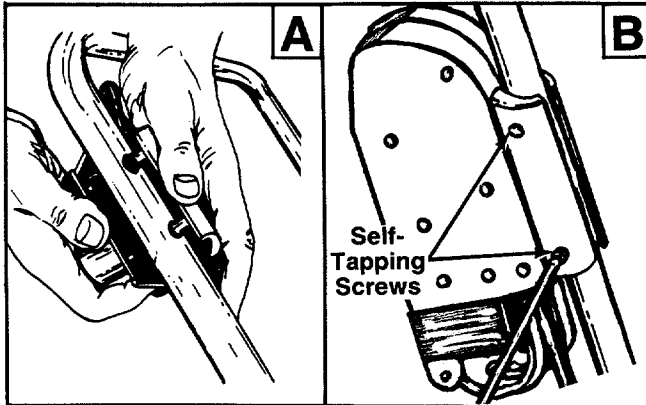


FIGURE 3.

**ATTACHING THE MOTOR/BLADE CONTROL (Hardware C)**

If not already assembled, attach the motor/blade control to the upper handle as follows:

1. Spread the hinged sides of the control housing and place in position on the right hand side of the handle. See figure 3A. The posts inside the hinged parts on the housing must go into the two holes in the handle.
2. Secure motor/blade control housing to the handle with two self-tapping screws. See figure 3B.

Attach control cord to handle with cable ties provided.

**ASSEMBLY OF GRASS CATCHER**

There are two different types of grass bags, bags with and without flip top openings. Follow the instructions which pertain to your unit.

**NOTE:** Make certain the label on the grass bag is on the outside before assembling.

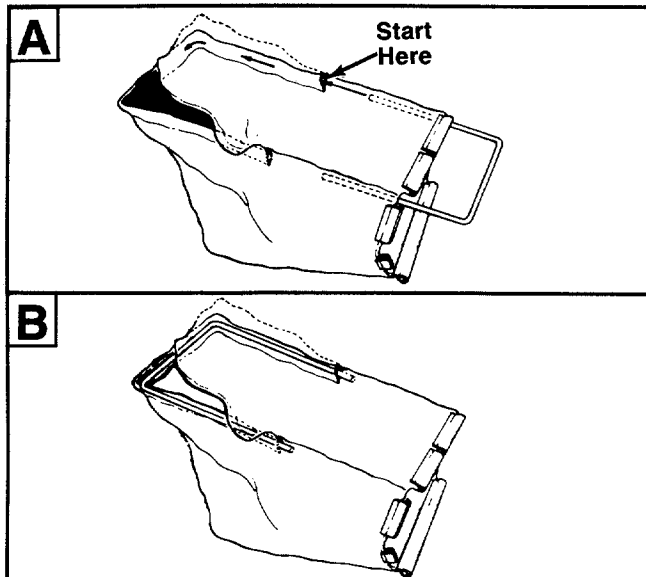


FIGURE 4.

1. Grass Bags with flip top opening only:
  - a. Place the ends of the rear frame inside the grass catcher bag. See figure 4A.

- b. Insert one end of the frame into the cloth channel inside the grass catcher bag. Feed all the material on one side of the frame before working it around the frame.

When this step is completed both ends of the frame should be inside the bag. See figure 4B.

2. Join the rear frame and front frame assembly as shown in figure 5A.

3. Grass Bags without flip top opening: Place bag over frame (black plastic side is the bottom of bag). Upper frame goes to the top of bag.

4. Secure bag to frame by slipping plastic channels on bag over frame. See figure 5B. Make certain knob on locking lever is outside the grass catcher bag.

5. Grass Bags with flip top opening only: Close top of bag by stretching loose material over the end of the frame.

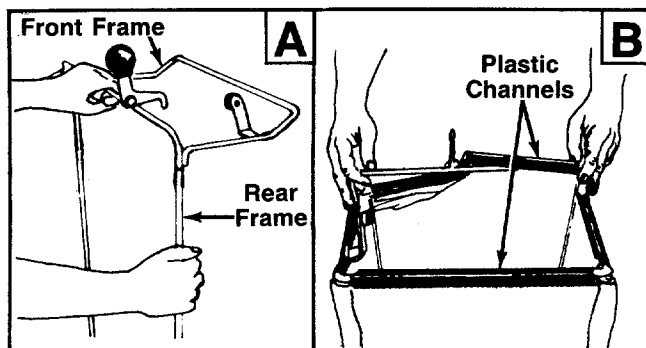


FIGURE 5.



**WARNING:** Never operate the mower with the bag open.

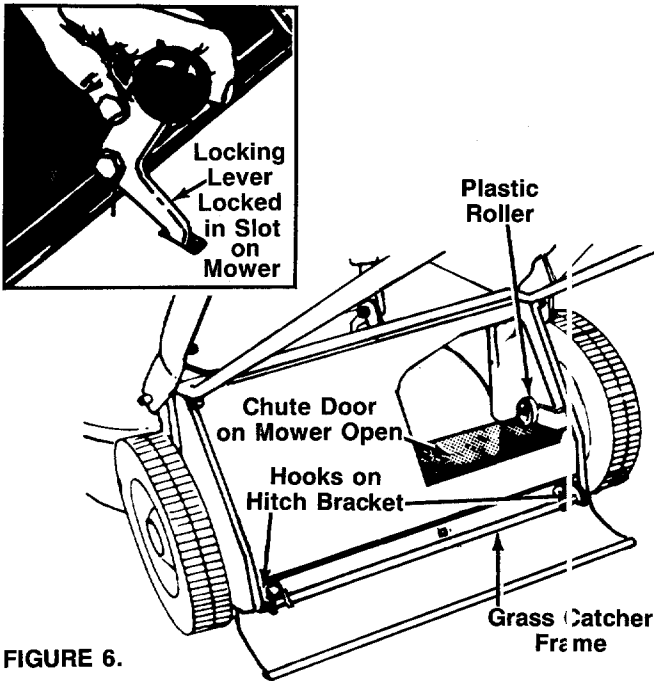


FIGURE 6.

**ATTACHING BAG TO MOWER**



**WARNING: DO NOT** operate the mower with the chute door open unless the complete grass catcher is properly mounted on the mower.

1. Attach the grass catcher frame to grass catcher hitch bracket on rear of the mower by hooking grass catcher into hooks on grass catcher hitch bracket. See figure 6.
2. Lift the rear of grass catcher up. The roller on the grass catcher will push the chute door on the mower open. See figure 6.

**NOTE:** Figure 6 is shown with the chute door open for clarity only.

3. Move the locking lever forward and hook in slot on mower. See figure 6, inset.

To remove the grass catcher, lift the rear of grass catcher, push forward and unhook locking lever. Lift off grass catcher.

**OPERATION**



FIGURE 7.

Keep hands and feet away from the chute area on cutting deck. See figure 7.

The operation of any lawn mower can result in foreign objects being thrown into the eyes, which can result in severe eye damage. Always wear safety glasses or eye shields. We recommend wide vision safety mask for over spectacles or standard safety glasses.



**NOTE:** The wheels on your unit are set in a low cutting height position for shipping purposes. For best results, raise the cutting position until it is determined which height is best for your lawn. See cutting height adjustment.

**MOTOR/BLADE CONTROL**



**WARNING:** This control mechanism is a safety device. Never attempt to bypass its operations.

The motor/blade control is located on the upper handle of the mower. See figure 8. The motor/blade control handle engages and disengages the motor and blade.

**CORD CONNECTION**



**WARNING:** Use only UL approved outdoor extension cord (minimum 16 gauge recommended).

**Cord Restraint**

Attach extension cord (not provided with unit) to the cord restraint as follows. Form a small loop in the extension cord. Allow enough excess cord to make the connection to the motor/blade control (approximately 20 inches). Slip the loop through the slot on the bottom of the cord restraint, and up over the tab, to prevent disconnection from the motor/blade control during operation. Keep the cord restraint as close to the motor/blade control as possible. See figure 8.

**Connection to the Motor/Blade Control**

To attach extension cord to the mower, swing open the spring-loaded plug retainer located beneath the motor/blade control. Connect the plug on the extension cord fully onto the plug on the mower. The mower is equipped with a polarized AC power plug (one blade of the plug is wider than the other), which will fit into the plug on the extension cord only one way. See figure 8, inset. If unable to make a full connection, try reversing the plug on the extension cord. Should the plugs still fail to fit, contact your service dealer for assistance. Do not defeat the safety purpose of the polarized plug.

**Connection to the Electric Power Source**

Plug the extension cord into any convenient 110-120 volt 60 cycle A.C. outlet or receptacle for your source of power. This outlet may be located either out-of-doors or indoors. If an inside receptacle is used, the extension cord can be taken out either through the doorway or a window. To avoid blowing fuses, pick an outlet that is not overloaded. Your mower will operate satisfactorily on a circuit that is fused for 15 amperes. Do not use oversize fuses without consulting your power company.

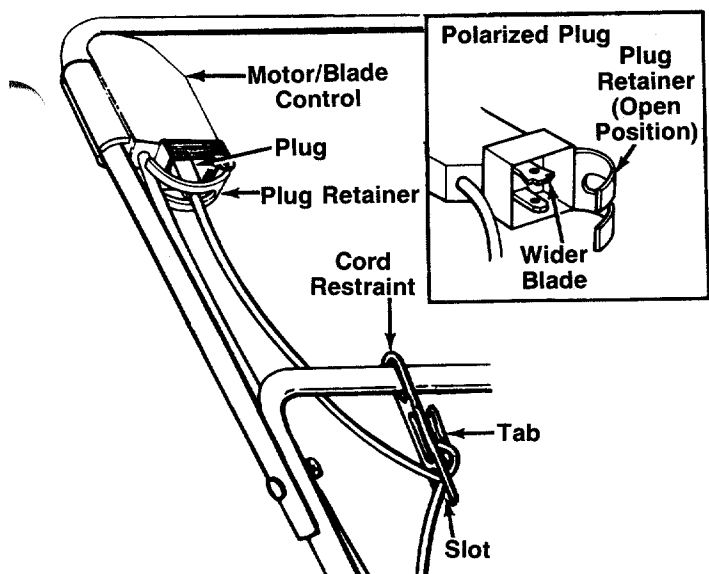


FIGURE 8.

### TO START MOTOR AND ENGAGE BLADE

Standing behind the unit, lift the motor/blade control handle with the left forefinger, then pull handle up and hold it against the upper handle with right hand. See figure 9.

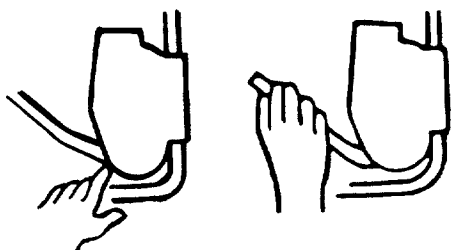


FIGURE 9.

### TO STOP MOTOR AND BLADE

1. Release the motor/blade control handle to stop the engine and blade. (A high pitched noise will result, which is the result of deceleration of the electric motor. Sparking at the top of motor is also normal during deceleration.)



**WARNING:** The blade continues to rotate for a few seconds after the motor is shut off. If motor does not come to an immediate stop when the motor/blade control handle is released, contact an authorized service location.

2. Disconnect the power source to prevent accidental starting while equipment is unattended.

### USING YOUR ROTARY MOWER



**WARNING:** Do not operate this mower with the chute door open, unless the complete grass catcher is properly mounted on the mower.

Be sure that lawn is clear of stones, sticks, wires, or other objects which could damage lawn mower or engine. Such objects could be accidentally thrown by the mower in any direction and cause serious personal injury to the operator and others.

To prevent electric shock, do not operate the mower in damp or wet locations.

Never mow around the lawn in circles. Always travel back and forth across the lawn, beginning at the point nearest the electric outlet where cord is connected. See figure 10. Cut grass moving away from the outlet so the cord lies in the cut portion of the lawn, out of the way.

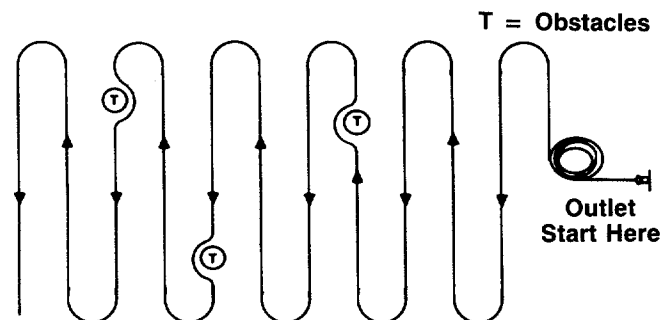


FIGURE 10.—Mowing Procedure

Do not allow extension cord to wrap around trees, shrubs or other obstacles. When picking up the extension cord, wind the cord in a series of equal loops on each side of your hand to prevent snarling. See illustration at right.



To cut heavy grass, reduce walking speed to allow more effective cut and distribution of the clippings. For best results, cut off one-third or less of the total length of the grass. The average lawn should be approximately 1½ to 2 inches during the cool season, and over 2 inches during hot months. For a healthier and better looking lawn, cut more often and after moderate growth. The lawn should be cut in the fall as long as there is growth.



**WARNING:** If you strike a foreign object, stop the motor. Disconnect the power source, thoroughly inspect the mower for any damage, and repair the damage before restarting and operating the mower. Extensive vibration of the mower during operation is an indication of damage. The unit should be promptly inspected and repaired.

### CUTTING HEIGHT ADJUSTMENT



**WARNING:** Do not at any time make any adjustment to lawn mower without first stopping motor and disconnecting the power source.

A height adjustment lever at each wheel provides cutting height adjustment. Each adjuster has nine height positions, ranging from 1½" to 3-3/8". Height of cut will be changed when the lever is moved from one position to another. Simply depress the lever towards wheel and move wheel and lever assembly to desired position. See figure 11.

Cutting height will be raised as front levers are moved to the front, and rear levers are lowered. Cutting height will be lowered as front levers are moved to the rear, and rear levers are raised. All wheels must be placed in the same relative position.

For rough or uneven lawns, move the wheels to a position which will give a higher cutting height.

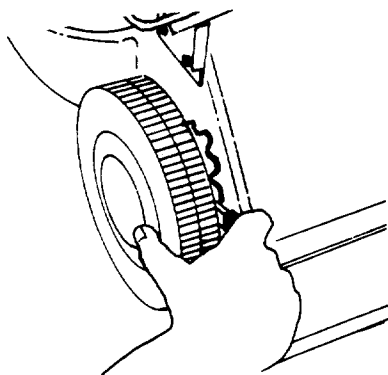


FIGURE 11.

## MAINTENANCE



**WARNING:** Always stop motor and disconnect the power source before cleaning, lubricating or performing any repairs or maintenance on lawn mower.

### LUBRICATION

**Discharge Chute Door**—The torsion spring and pivot point should be lubricated periodically with light oil to prevent any rust or binding. Door must work freely.

**Wheels**—Wheels require no lubrication. However, if the wheels are removed for any reason, lubricate the surface of the axle and the inner surface of the wheel with light oil. A 4 oz. plastic bottle of light oil lubricant is available. Order part number 737-0170. Engine oil may also be used.

### CUTTING BLADE



**WARNING:** Always protect hands by wearing heavy gloves and/or wrapping cutting edges with newspapers or other materials when performing any blade maintenance. Be certain to disconnect the power supply.

After each use, check blade for sharpness and replace if worn. The blade must be balanced to run smoothly. Your blade has been checked at the factory. Resharpening is not recommended.

To remove the blade, turn the lawn mower on its side. Remove the two hex nuts. Open the blade insulator. Remove the cotter pin, blade nut, flat washer, blade insulator and carriage bolts. See figure 12.

When reassembling the blade, all parts **must** be assembled in the exact order as shown in figure 12. Tighten the blade mounting nut securely (35-40 ft. pounds of torque). Make certain slot in blade mounting nut is aligned with hole in motor shaft (tighten slightly more if necessary). Re-insert the cotter pin, bending ends in opposite directions to secure. Check blade at frequent intervals to be certain it is tightened properly.

To insure safe operation of your unit, **all** nuts and bolts must be checked periodically for correct tightness.



**WARNING:** All parts must be reassembled as shown in figure 12.

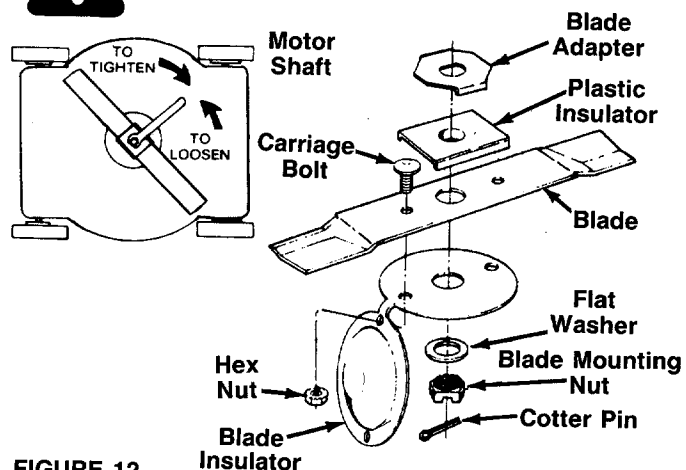


FIGURE 12.

### DECK

Remove any buildup of grass and leaves on or around the motor cover (do not use water). Wipe mower clean with a dry cloth occasionally.

The underside of mower deck should be cleaned after each use as grass clippings, leaves, dirt and other matter will accumulate. This accumulation of grass clippings, etc., is undesirable as it will promote rust and corrosion.

Disconnect the power source. Tilt the mower forward or on its side and scrape clean with a suitable tool.



**WARNING:** To reduce the risk of electric shock, do not expose to water.

### GRASS BAG

**IMPORTANT:** Under normal usage, the grass bag is subject to wear and should be checked periodically. Be certain any replacement bag complies with the mower manufacturer's recommendation.

Wash grass bag periodically with water. Allow to dry thoroughly in the shade. Do not use heat.

## STORAGE

1. Make certain motor/blade control switch is in OFF position and power supply is disconnected.
2. Clean mower as instructed in previous section.
3. Wipe extension cord to remove any foreign substance such as oil or stains. Replace extension cord if cut or damaged in any way.
4. Wind cord as shown on page 7.
5. Store mower indoors, in a cool, dry place, out of reach of children. Do not cover lawn mower with a solid plastic sheet. Trapping moisture around the mower will promote rust and corrosion.

The use of any accessory on this Rotary Mower other than those manufactured by the mower manufacturer is **not** recommended.



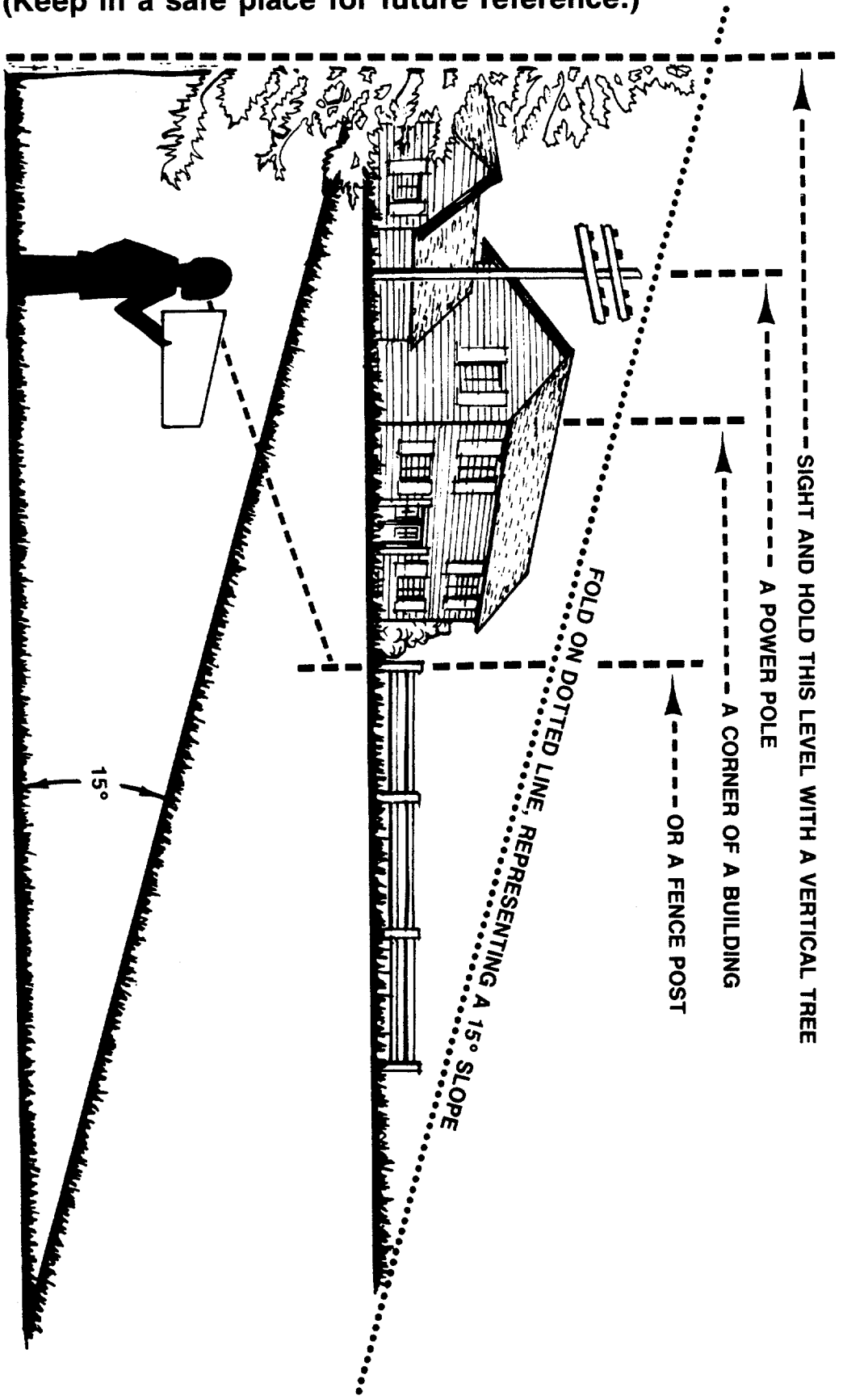
**WARNING:** DO NOT operate the mower without the entire grass catcher or chute deflector in place. DO NOT operate the mower without the protective shield on the rear of the deck in place.



USE THIS SHEET AS A GUIDE TO DETERMINE SLOPES WHERE YOU MAY NOT OPERATE SAFELY.

# SLOPE GAUGE

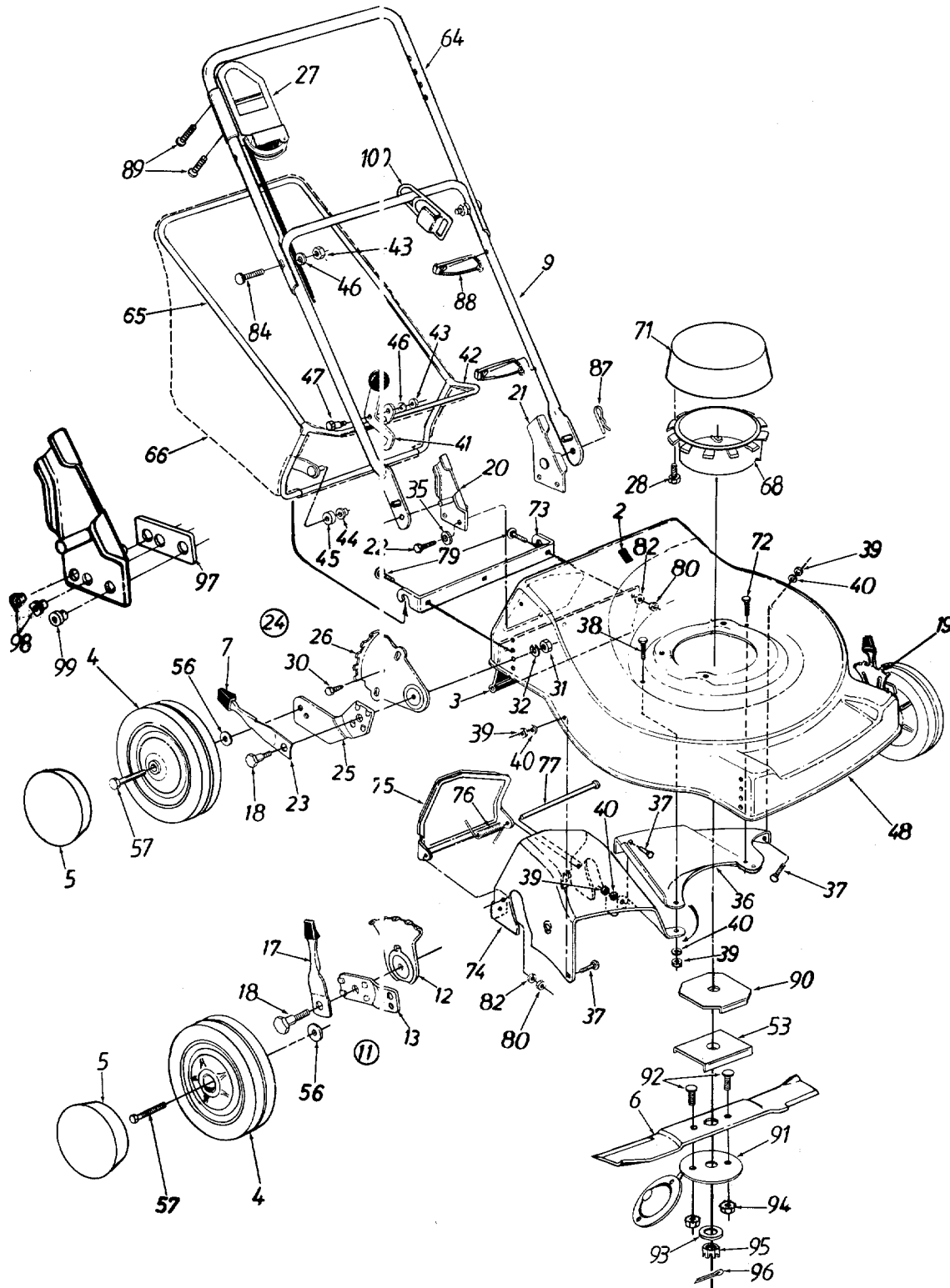
(Keep in a safe place for future reference.)



Do not mow on inclines with a slope in excess of 15 degrees (a rise of approximately 2½ feet every 10 feet). A riding mower could overturn and cause serious injury. If operating a walk-behind mower on such a slope, it is extremely difficult to maintain your footing and you could slip, resulting in serious injury.

Operate RIDING mowers up and down slopes, never across the face of slopes.  
Operate WALK-BEHIND mowers across the face of slopes, yes, never up and down slopes.

# Model 304E



\*For faster service obtain standard nuts, bolts and washers locally. If these items cannot be obtained locally, order by part number and size as shown on parts list.

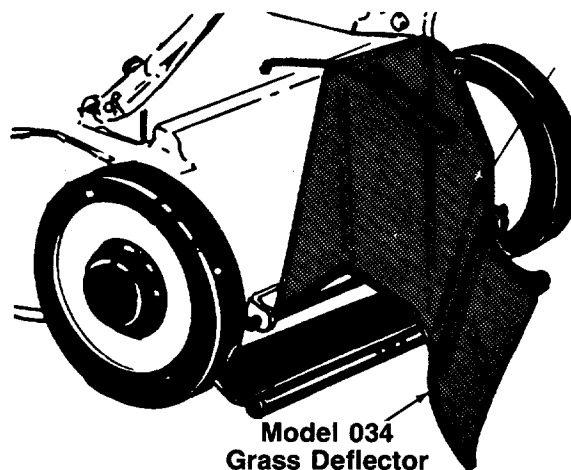
NOTE: Specifications subject to change without notice or obligation.

CODE: N notates a new part (not previously existing).

# Model 304E

## PARTS LIST FOR MODEL 304E ROTARY MOWER

REF. NO.	PART NO.	CODE	DESCRIPTION	REF. NO.	PART NO.	CODE	DESCRIPTION
1	747-0748		Control Handle Ass'y.	42	13924		Grass Catcher Lower Frame
2	731-0564		Plug	43	712-0267		Hex Nut 5/16-18 Thd.*
3	731-0665		Rear Flap Ass'y.	44	726-0100		Push Cap 3/8" Rod
4	734-1655		Wheel Ass'y. Comp.	45	731-0430		Plastic Roller
5	720-0251		Hub Cap	46	736-0119		L-Wash. 5/16" I.D.*
6	742-0553		20" Blade	47	738-0140		Shld. Bolt .437" Dia. x .180"
7	720-0190		Spring Lever Knob	48	16108		20" Deck Ass'y.
9	749-0504C		Lower Handle	53	731-1218		Blade Adapter Insulator
11	14578		Front Height Adj. Ass'y.—R.H.	56	736-0105		Bell-Wash. .400" I.D. x .88"
12	15261A		Front Index Plate	57	738-0102		Axle Bolt
13	15262B		Front Pivot Bar	64	749-0831		Upper Handle
15	712-0287		Hex Nut 1/4-20 Thd.*	65	749-0278		Grass Catcher Upper Frame
17	14832		Spring Lever w/Knob	66	764-0170B		Grass Bag w/Flip Top
18	738-0507B		Shld. Bolt .50" Dia. x .375		764-0171B		Grass Bag w/o Flip Top
19	14579		Front Height Adj. Ass'y.—L.H.	68	731-1215		Motor Cover Bottom
20	818-60008		Handle Brkt. Ass'y.—R.H.	71	731-1214		Motor Cover Top
21	818-60009		Handle Brkt. Ass'y.—L.H.	72	710-0642		Hex Self-Tap Scr. 1/4-20 x .75"
22	710-0588		Hex Wash. Hd. Tap Scr. 1/4-20 x 1" Lg.	73	14012		Grass Catcher Hitch Brkt.
23	732-0417A		Spring Lever	74	14235		Rear Chute Baffle—R.H.
24	16106		Rear Height Adj. Ass'y.—R.H.	75	13407		Chute Door
	16107		Rear Height Adj. Ass'y.—L.H. (Not Shown)	76	732-0346		Torsion Spring
25	14765		Rear Pivot Bar—R.H.	77	738-0386		Hinge Pin
	14766		Rear Pivot Bar—L.H. (Not Shown)	79	710-0703		Carr. Bolt 1/4-20 x .75" Lg.
26	14764C		Rear Index Plate	80	712-0271		Hex Sems Nut 1/4-20 Thd.
27	818-60000		Cord and Switch Ass'y.—Complete	82	736-0211		FI-Wash. .281" I.D. x 1.25"
28	710-1128		Screw #10-16 x .75" Lg.	84	710-0671		Curved Carr. Bolt 5/16-18 x 1.38" Lg.
30	710-0892		Hex Wash. Hd. Tap Scr. 1/4 x .62" Lg.	87	714-0104		Hairpin Cotter
31	712-0798		Hex Nut 3/8-16 Thd.*	88	726-0240		Cable Tie
32	736-0356		Bell-Wash. 3/8" I.D.	89	710-1150		Self Tap Scr. #7 x 1" Lg.
35	736-3020		FI-Wash. .266" I.D. x .625" O.D.	90	748-0343		Blade Adapter
36	13405A		Rear Chute Baffle—L.H.	91	731-1217		Blade Insulator
37	710-0167		Carr. Bolt 1/4-20 x .50" Lg.	92	710-0451		Carriage Bolt 5/16-18 x .75" Lg.
38	710-0206		Hex Bolt 1/4-20 x .88" Lg.*	93	736-0462		FI-Wash. .516" I.D. x 1.5" (H.T.)
39	712-0287		Hex Nut 1/4-20 Thd.*	94	712-0437		Hex Keps Nut 5/16-18 Thd.
40	736-0329		L-Wash. 1/4" I.D.*	95	712-0401		Slotted Hex Nut 1/2-20 Thd.
41	13435		Cam Lever Grip Ass'y.	96	714-0228		Cotter Pin 1" Lg.
				97	731-1251	N	Insulator Strip
				98	731-1252	N	Insulator Shield
				99	731-1219		Insulator Shield
				100	725-0899		Cord Restraint

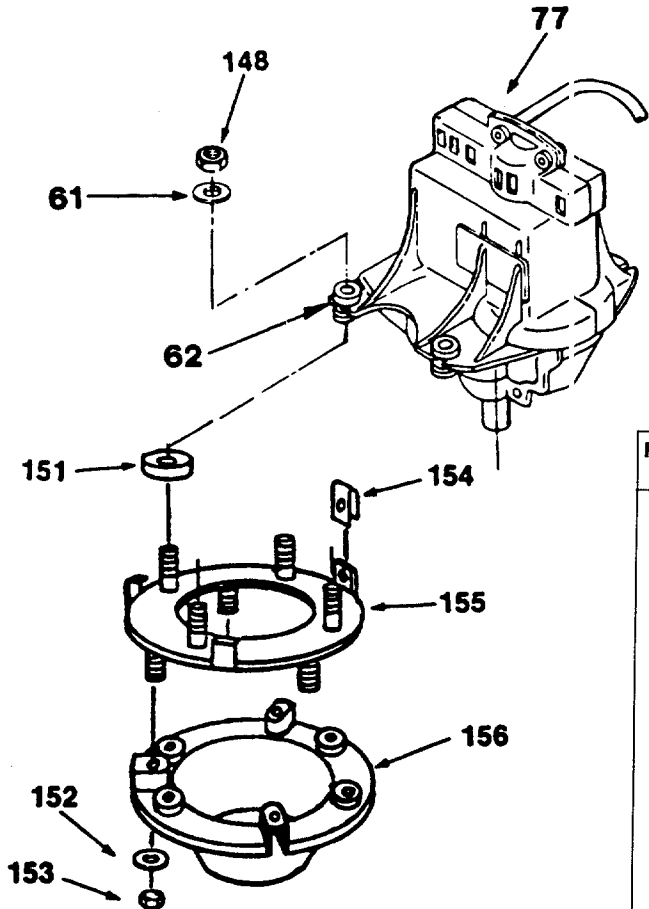


Grass Deflector Model 034 are available as optional equipment.

# Model 304E

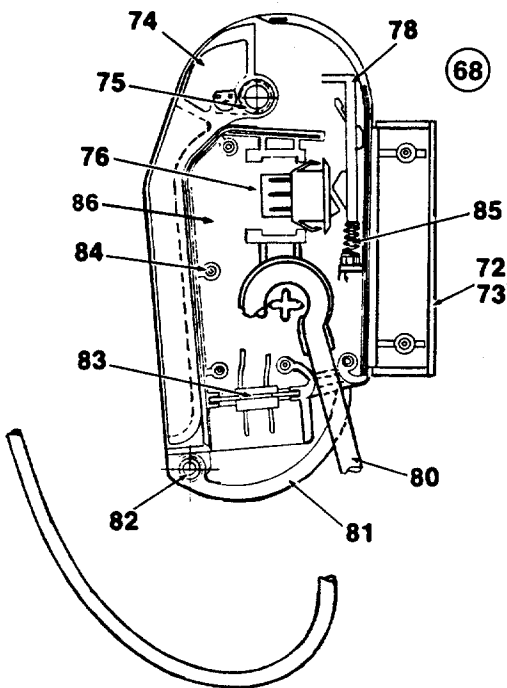
**WARNING:** The motor is an important part of the double insulated system. To avoid the possibility of alteration or damage to the system, it is recommended that service be performed at a factory authorized service location.

**WARNING:** Insulators are safety components. It is very important that all parts be reassembled in positions shown. Service replacement motors are supplied with motor mounting insulators attached.



## PARTS LIST FOR MODEL 304E ROTARY MOWER

REF. NO.	PART NO.	CODE	DESCRIPTION
61	736-3090		FI-Wash. .26" I.D. x .72" O.D.
62	731-1216		Motor Housing Insulator
68	818-60000		Cord & Switch Box (Complete)
72	731-1208		Housing—Upper Half
73	731-1209		Housing—Lower Half (Not Shown)
74	731-1210		Handle—Switch Actuator
75	732-0679		Spring—Switch Handle
76	725-1565		Switch
77	818-60153	N	Motor & Switch Ass'y.
78	731-1198		Latch
80	818-60001		Cord Ass'y. (Incl. Ref. #83)
81	731-1211		Retainer Plug
82	732-0680		Retainer Plug Spring
83	729-0304		Plug Ass'y.
84	710-1147		Screw #6-32 x .5" Lg.
85	732-0681		Latch Spring
86	818-60002		Jumper Wire (Not Shown)
148	712-0324		Nylon Top L-Nut 1/4-20 Thd.
151	731-1175	N	Spacer
152	736-0461		FI-Wash. 5/16" I.D. x .75" O.D.
153	712-0429		Nylon Top L-Nut 5/16-18 Thd.
154	712-0410		Clip
155	818-60155	N	Motor Mount Plate Ass'y.
156	731-1177	N	Motor Shield



## HOW TO ORDER REPLACEMENT PARTS

The model number will be found on a plate attached to the rear of the mower.

When ordering replacement parts, always give the following information:

1. Part Number
2. Part Description
3. Model Number of your mower